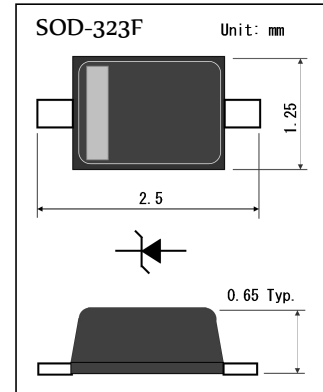


**Fast Switching Diode**

- ◇ General purpose diodes
- ◇ Fast switching devices
- ◇ **SOD323F** Micro SMD package
- ◇ RoHS compliant / Green EMC
- ◇ Matte Tin (Sn) Lead finish
- ◇ Cathode Band / Device marking
- ◇ P/N suffix V means AEC-Q101 qualified, e.g: BAV21JV
- ◇ P/N suffix V means Halogen-free

Device Marking Code	
BAV21JV	S7



**Maximum Ratings (Ta = 25 °C)**

Symbol	Parameter	Value	Units
$V_{RM}$	Non-Repetitive Peak Reverse Voltage	250	V
$V_{RRM}$	Repetitive Peak Reverse Voltage	200	V
$V_{R(RMS)}$	RMS Reverse Voltage	141	V
$I_O$	Average Rectified Output Current	200	mA
$I_{FSM}$	Non-Repetitive Peak Forward Surge Current(@t=8.3ms)	2.0	A
$P_D$	Power Dissipation	250	mW
$T_J$	Junction Temperature	150	°C
$T_{STG}$	Storage Temperature	-55 to +150	°C

**Electrical Characteristics (Ta = 25 °C)**

Symbol	Parameter	Test Conditions	Min	Max	Units
$V_F$	Forward Voltage	$I_F=100mA$ $I_F=200mA$		1 1.25	V
$I_R$	Reverse current	$V_R=200V$		0.1	uA
Ctot	Total capacitance	$V_R=0V, f=1MHz$		5	pF
trr	Reverse recovery time	$I_F= I_R =30mA, I_{rr}=0.1*I_R,$ $R_L=100\Omega$		50	ns

## RATING AND CHARACTERISTICS CURVES (BAV21JV)

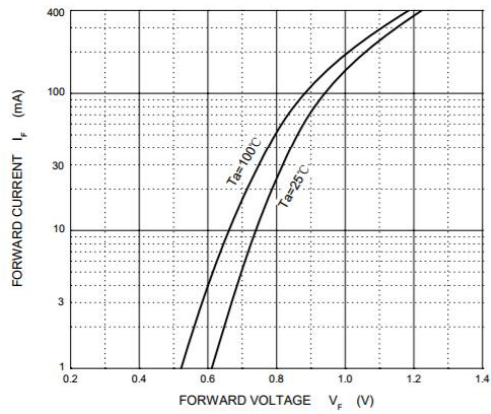


Fig.1 Forward current( $I_F$ ) vs Forward voltage( $V_F$ )

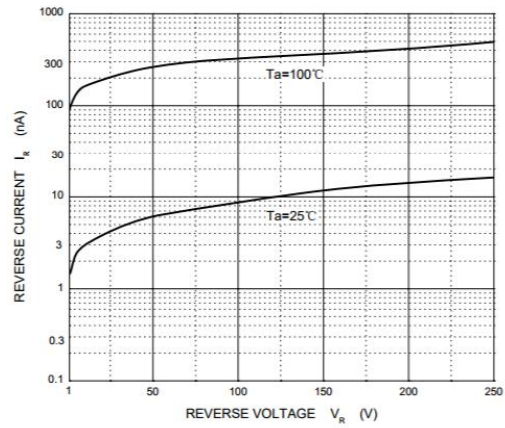


Fig.2 Reverse current( $I_R$ ) vs Reverse voltage( $V_R$ )

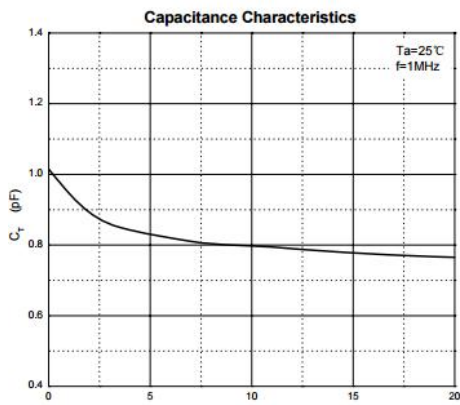


Fig.3 Capacitance vs Reverse voltage( $V_R$ )

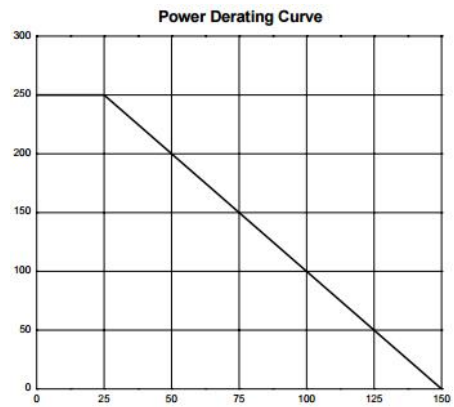
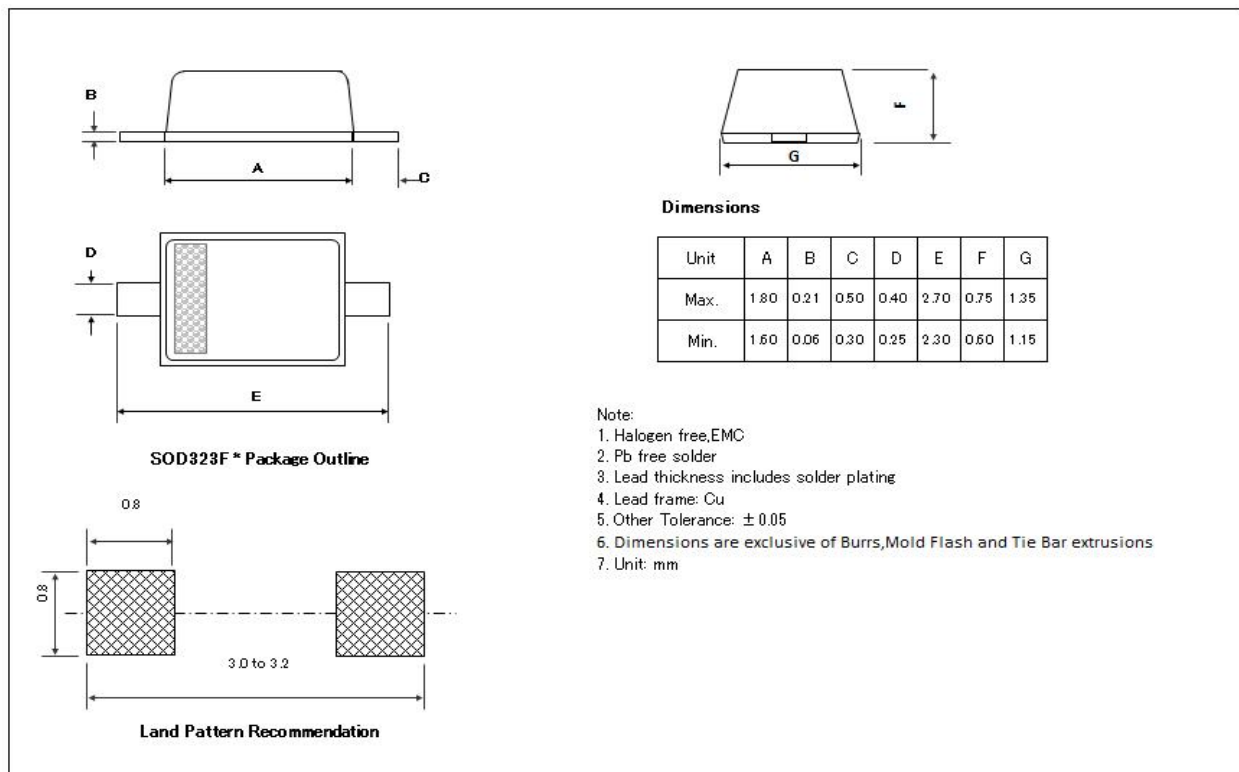


Fig.4 Power Derating Curve

## Ordering Information

Device	Package	Shipping	Tape wide	Emboss pitch	Tape specification	Package Code
BAV21JV	SOD323F	Tape & Reel 3000pcs /7" Reel	8 mm	4 mm	Conductive	-T

## Package Dimensions



## DISCLAIMER NOTICE

Rectron Inc reserves the right to make changes without notice to any product specification herein, to make corrections, modifications, enhancements or other changes. Rectron Inc or anyone on its behalf assumes no responsibility or liability for any errors or inaccuracies. Data sheet specifications and its information contained are intended to provide a product description only. "Typical" parameters which may be included on RECTRON data sheets and/ or specifications can and do vary in different applications and actual performance may vary over time. Rectron Inc does not assume any liability arising out of the application or use of any product or circuit.

Rectron products are not designed, intended or authorized for use in medical, life-saving implant or other applications intended for life-sustaining or other related applications where a failure or malfunction of component or circuitry may directly or indirectly cause injury or threaten a life without expressed written approval of Rectron Inc. Customers using or selling Rectron components for use in such applications do so at their own risk and shall agree to fully indemnify Rectron Inc and its subsidiaries harmless against all claims, damages and expenditures.